



Part of the
Prevent+
collection

Anywhere Bracket Series

Spaces Re-Imagined, Safely

Product Data Sheet | Version 1.0



Busch Systems International Inc.
81 Rawson Avenue, Barrie ON., Canada
1.800.565.9931
buschsystems.com



View the Anywhere Bracket Series Online!



Spaces Re-Imagined, Safely

No matter what kind of sanitizing solutions you are using or where you are dispensing them, this bracket gives you the ultimate versatility and will help you ensure that sanitizing options are ubiquitous and accessible throughout your space. The unique design incorporates an adjustable bungee cord, allowing it to support many sizes of canister wipes and gel bottles up to 1L or 1 Quart in size. It can easily be mounted on any surface with a variety of ways to attach it, including an optional magnet kit for mounting on metal surfaces.

Put an Anywhere bracket on a filing cabinet in an office, on a refrigerator in common areas, on a forklift or pallet rack, on the side of an existing dispenser, or mount one on a wall.

This bracket literally goes Anywhere.



113067



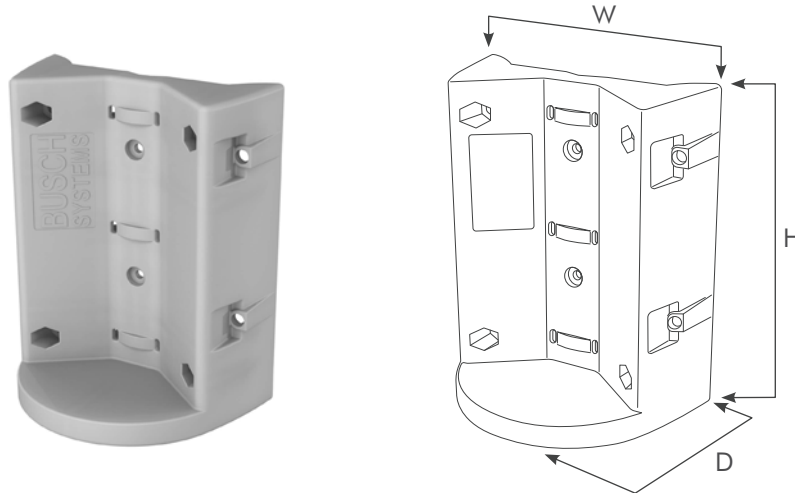
113068



113069

UNIT SPECIFICATIONS

Below are the available unit options for the Anywhere Bracket Series. The Anywhere Bracket Series is designed to be the perfect fit for any space. The measurement guide is the essence of various standard measuring methods. All measurements are in inches. The Anywhere Bracket Series is compact and effective for adding sanitizing materials to all locations. Talk to your dedicated Busch Systems® sales representative for more information on whether the Anywhere Bracket Series is right for you.



Body Shape	Height	Width	Depth	Weight
Standard	6.9375"H (176.213mm)	4.6875"W (119.063mm)	3.25"D (82.55mm)	0.4lbs (0.182kg)

STOCK COLORS



Teal



White



Grey

PRODUCT ACCESSORIES

If you're interested in maximizing the full potential of your Anywhere Bracket, you can enhance the quality & performance and expand the possibilities with the Anywhere Bracket Magnet Kit, that will add functionality and convenience with ease.

MAGNET KIT



x4 Long Screws



x2 Short Screws



x6 Lock Nuts



x6 Magnets

MATERIAL & CONSTRUCTION DETAILS

Not all recycling, waste or PPE receptacles are created equal. Our company policy is never to compromise on our workmanship or the quality material standards we've set. We only recommend and use quality first grade materials on our containers, and source these from OEM's at highly-competitive prices. Being a manufacturer that buys at high-quantities gives significant buying power with companies which in turn saves you money.

The design process, materials used, finishes and manufacturing standards all affect the final product. Every decision is vital to getting the most value for your investment. You deserve recycling, waste and PPE containers that meet your demands for quality and durability and will enhance your working environment for years to come.

Component	Material(s)	Construction
Main Unit	HDPE	<ul style="list-style-type: none"> molded from durable HDPE and contain up to 35% recycled content
Bungees	Nylon & Bungee	<ul style="list-style-type: none"> Made of nylon and bungee

ENVIRONMENTAL CONSIDERATIONS

- The Anywhere Bracket Series is composed primarily of natural materials local to manufacturing
- The Anywhere Bracket Series uses a low energy, resource efficient manufacturing and curing process
- The Anywhere Bracket Series components disassemble at end of life and are fully recyclable
- Low maintenance and extremely long service life
- Manufactured in North America

Configurations	Post-Industrial Recycled Content	Post-Consumer Recycled Content	Total Recycled Content	3rd Party Certifications
Anywhere Bracket	Contact us	Contact us	Contact us	-

Busch Systems® is dedicated to environmental responsibility. We maintain an Environmental Management System and are continually working to improve our impact through efficiency, material selection, vendor education, employee involvement, and an unwavering commitment to being a B-Corporation®. If you would like additional information on our product development process or if you don't see the information you need for your project on this page, please contact our Sustainability Team at sustainability@buschsystems.com.

LEAD TIME

Our standard lead times on the Anywhere Bracket Series is 2-3 weeks. Larger orders may require 6-8 weeks to complete. Please contact us to discuss your specific timing requirements.

PRICING AND ORDERING

Please contact us at **800.565.9931** or sales@buschsystems.com. At Busch Systems®, we design, manufacture and sell our products directly to you. Our sales team is available to assist you with questions about our products, requests for quotes, and orders. Vertical Managers are located across North America to assist with the front-end specification and quoting process, and our in-house Project Sales Coordinators follow your project through from the time you place an order to shipment.

TO ORDER PLEASE SPECIFY

Quantity, color & series model. Talk to your dedicated Busch Systems® sales representative for more information. If you do not have a dedicated Sales Representative please contact us via our website at buschsystems.com/contact-us/

INSTALLATION

Busch Systems® Anywhere Bracket Series is hassle free when it comes to installation. Two screw holes allow the unit to be hard-mounted to any surface and the magnet kit option allows mounting to any magnetic surface. Each unit is individually boxed using high-density cardboard with high-recycled content to ensure safe and environmentally friendly transport.

To install Bungee Kit:

1. Feed bungee cord through the top two outer holes on the Anywhere Bracket.
NOTE – if you want the clips to the back of the bracket feed the bungee through the front. If you want the clips to the front of the bracket, feed the bungee through the back.
2. Take 1x clip wheel and insert into the top of the clip base with the center button facing up. Continue to push the clip wheel into base until the wheel is completely resting within the clip base.
3. Push the clip wheel to the bottom of the clip base and feed the bungee through the opening on the flat end of the bungee until it is visible out the rounded edge. Repeat on the other side of the clip wheel with the other end of the bungee.
4. Repeat steps 1 – 3 on the bottom two outer holes on the Anywhere Bracket.
5. Adjust the bungee to the desired tension by pressing the clip wheel and pulling the two ends of the bungee cord towards you.

If purchasing the unit to Hard-Mount:

1. Determine the appropriate solution to affix the unit to your surface
**The Anywhere Bracket can be mounted to wood, drywall, concrete, brick – all surfaces have different mounting requirements – ask your local hardware store what solution is right for you.*
2. Using the hardware that is best for your application, use two fasteners per unit to mount the Anywhere Bracket to your surface.
3. Place hand sanitizer bottle or wipes container into the Anywhere Bracket and tighten bungees.

If purchasing the unit with Magnet Kit:

TOOLS REQUIRED: Robertson #2 or Slotted Screwdriver + 3/8" Combination Wrench

1. Thread a long screw into the hole in the center of a magnet with the head of the screw settling into the recessed portion of the magnet.
2. From the back of the bracket, thread the long screw with the magnet into one of the four corner holes.
3. Holding onto the button head of the screw, attach a lock nut onto the exposed thread of the screw showing on the front of the bracket.
NOTE – Only thread screw until resistance is felt. The nut should just be covering the end of the bolt and should not be tightened any further. This allows the magnets to self-center and better adhere to both flat and rounded surfaces.
4. Repeat steps 1 – 3 on the remaining three corner holes.
5. For the two center holes, use the two remaining short screws, magnets and nuts and follow steps 1 and 2. Only for these two, you will need to tighten the nuts so that the bolt protrudes flush with the face of the nut, bringing the magnets tight against the back of the bracket. Use the required tools to complete this step.
6. If mounting onto a flat surface, place one of the provided double sided foam squares on top of each magnet placed in the top corners. If mounting onto a curved surface, place one double sided foam square on top of each magnet placed in the center holes.
7. Place hand sanitizer bottle or wipes container into the Anywhere Bracket and tighten bungees. The Anywhere Bracket is now ready to be mounted to your magnetic surface.

CARE & MAINTENANCE

Advantages of Busch Systems HDPE & LDPE receptacles include:

- Great low temperature impact resistance and excellent chemical resistance
- Great high temperature impact resistance
- Lower stiffness rating which reduces potential for stress cracking
- High strength-to-density ratio

Their appearance and lifespan will be greatly affected by their care. The frequency of cleaning required depends on the environment in which the containers are used. Outdoor containers will be subject to different environmental conditions than indoor units, i.e. sun, rain, wind, pollution, winter temperatures, and salt/sea air.

To avoid the accumulation of dirt and grime on your Busch Systems products, and help prevent corrosion, we recommend that a mild detergent be used (not an abrasive), such as a pH-neutral liquid (hand dishwashing or hand car washing soaps, for example) diluted in warm water. Rinse well with clean water. If solvents are absolutely needed to remove marks, a soft cloth dampened with white spirit may be used.

GENERAL CARE

- Clean with a power washer or light scrub brush (outdoor/municipal bins)
- Clean with a mild detergent with damp sponge or cloth (indoor/office bins)
- For soil and stain remover, cleaners like Fantastik, Armor All or Acetone may be tried
- UV safe cleaners **MUST** be used on all outdoor bins

THINGS TO AVOID

- Cleaners with chloride or bleach
- Abrasive detergents
- Solvents
- Steel wool or Scouring pads

Contact Us Today for a Quote on the Anywhere Bracket Series!



BUSCH[®]
SYSTEMS

Certified



Corporation