



Boka Series

Premium Design and Functionality.

Product Data Sheet | Version 1.0

Busch Systems International Inc.
81 Rawson Avenue, Barrie ON., Canada
1.800.565.9931
buschsystems.com



View the Boka Series Online!





PREMIUM DESIGN AND FUNCTIONALITY

The Boka Stainless Steel Recycling Container combines practicality and flexibility with a high-quality finish. Designed for large, high-traffic environments – malls, terminals, convention centres and sports complexes – the Boka’s combination of durability and elegance challenges expectations of what a recycling bin can be.

- Stainless steel body for optimum durability
- 360 degree stream recognition helps increase diversion rate from all angles
- Unique lid design allows container to self extinguish fire by minimizing oxygen flow
- Simplify servicing with lockable, gas assisted hinged lids and a bag retention ring that keeps the bag secured upright

POPULAR SKU'S



101223



101222

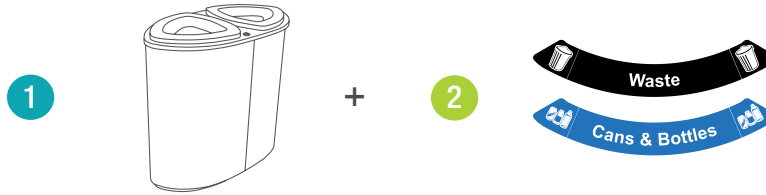


101228



101230

BUILD YOUR *Boka*™ STATION



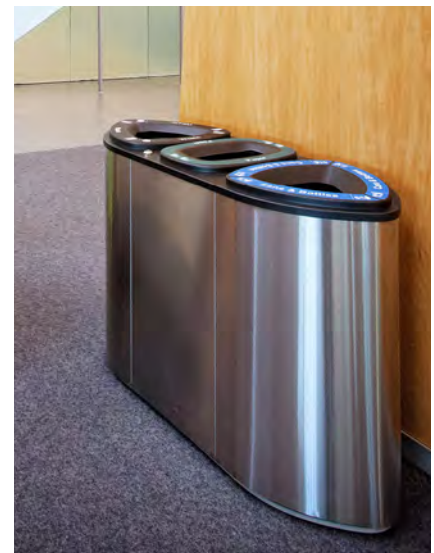
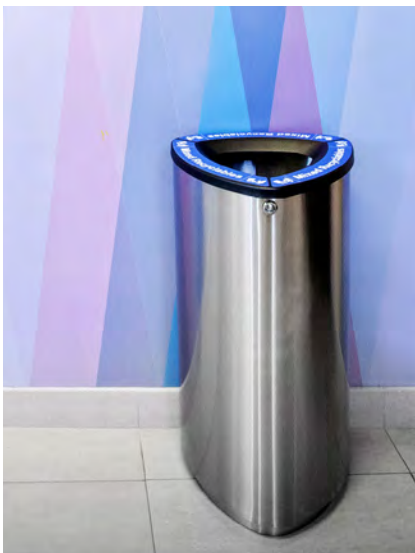
ONE: THE BODY

- Single
- Double
- Triple

Custom Options Available*

TWO: THE LABELS

- Choose from our stock options or customize your own!



*Ask your sales representative about the custom options below (minimum orders apply)



*Boka Single XL - 36G



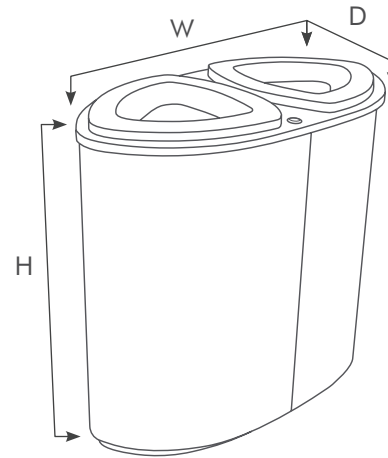
*Boka Double Clear - 52G



*Boka Canopy
(single 36G, double 52G, triple 78G)

BODY SPECIFICATIONS

With this measurement guide you will find the right size Boka Series container to fit your space. The measurement guide is the essence of various standard measuring methods. The Boka is available in Single, Double & Triple stream units in a stainless steel or clear finish. Talk to your dedicated Busch Systems® sales representative for more information on how to choose the right size container for your space.



Body Shape	Height	Width	Depth	Weight	Capacity
Single	29.75"H (755.65mm)	15.75"W (400.05mm)	15.75"D (400.05mm)	20.7lbs (9.39kg)	21 gal
Double	30.5"H (774.7mm)	35"W (889mm)	18"D (457.2mm)	47lbs (21.32kg)	52 gal
Triple	31"H (787.4mm)	45"W (1143mm)	17.75"D (450.85mm)	69lbs (31.30kg)	78 gal

STOCK BODY COLORS



Stainless Steel

LID & OPENING SPECIFICATIONS

The chart below outlines the available Lid Opening Options for each Boka Series body as well as the associated opening dimensions. Be sure to run a preliminary audit of the popular materials that are discarded where your Boka Series containers will be placed. The Boka Series openings come standard as full openings with different label options available for each. Talk to your dedicated Busch Systems® sales representative for more information.

	Single	Double	Triple
Single, Double, Triple			
Opening Dimensions	8"W x 8"L x 8"D	Ends/Triangle: 8"W x 8"L x 8"D	Ends/Triangle: 8"W x 8"L x 8"D Middle/Rectangle: 4.25"W x 9.25"D

STOCK LID COLORS



Black

STOCK LABELS

Labels come standard with stream specific colors and white text. These premium labels incorporate a tough textured coating which adds to the durability of the Boka. All labels can be customized to match your unique branding and stream requirements.



MATERIAL & CONSTRUCTION DETAILS

Not all recycling & waste receptacles are created equal. Our company policy is never to compromise on our workmanship or the quality material standards we've set. We only recommend and use quality first grade materials on our recycling & waste containers, and source these from OEM's at highly competitive prices. Being a manufacturer that buys at high-quantities gives significant buying power with companies which in turn saves you money.

The design process, materials used, finishes, and manufacturing standards all affect the final product. Every decision is vital to getting the most value for your investment. You deserve recycling & waste containers that meet your demands for quality and durability and will enhance your working environment for years to come.

Component	Material(s)	Construction
Body	Stainless Steel	<ul style="list-style-type: none"> 20 Guage Stainless Steel - 430 #4 Finish
Lid	Cold Rolled Steel with Powder Coating	<ul style="list-style-type: none"> Commercial quality. Rust & Fingerprint resistant

ENVIRONMENTAL CONSIDERATIONS

- Boka Series Receptacles are composed primarily of natural materials local to manufacturing
- All Boka Series Receptacles use a low energy, resource efficient manufacturing and curing process
- All Boka Series receptacle components disassemble at end of life and are fully recyclable
- Low maintenance and extremely long service life
- Manufactured in North America

Configurations	Post-Industrial Recycled Content	Post-Consumer Recycled Content	Total Recycled Content	3rd Party Certifications
Boka	Contact us	Contact us	Contact us	-

Busch Systems® is dedicated to environmental responsibility. We maintain an Environmental Management System and are continually working to improve our impact through efficiency, material selection, vendor education, employee involvement, and an unwavering commitment to being a B-Corporation®. If you would like additional information on our product development process or if you don't see the information you need for your project on this page, please contact our Sustainability Team at sustainability@buschsystems.com.

LEAD TIME

Our standard lead times on the Boka Series are 5-10 days when in stock or 6-8 weeks for large or custom orders. Please contact us to discuss your specific timing requirements.

PRICING

Please contact us at **800.565.9931** or sales@buschsystems.com. At Busch Systems®, we design, manufacture and sell our products directly to you. Our sales team is available to assist you with questions about our products, requests for quotes, and orders. Vertical Managers are located across North America to assist with the front-end specification and quoting process, and our in-house Project Sales Coordinators follow your project through from the time you place an order to shipment.

TO ORDER PLEASE SPECIFY

Quantity, body model, lid model, label choice and any optional product accessories. Talk to your dedicated Busch Systems® sales representative for more information. If you do not have a dedicated Sales Representative please contact us via our website at buschsystems.com/contact-us/

INSTALLATION

Busch Systems® Boka Series containers are hassle-free when it comes to installation. Each container comes fully assembled and ready/to be placed.

To install your Boka Series containers:

1. Remove Boka From Packaging and place in desired location.
2. Insert the recycling/waste bag into each bag ring and wrap the top edge of the bag around the metal ring. Ensure bag touches floor and doesn't "Hang" from ring.

CARE & MAINTENANCE

Stainless steel offers many advantages to the architectural/ornamental metal user. Advantages of Busch Systems® Stainless Steel receptacles include:

- High corrosion-resistance allowing it to be used in rigorous environments.
- Strong resistance to fire and heat allowing it to resist scaling and retain strength at high temperatures
- Hygienic, non-porous surface coupled with the easy cleaning ability of stainless makes it the primary choice for applications which require strict hygiene control, such as hospitals, kitchens, and other food processing plants.
- Aesthetic appearance provides a modern and attractive appearance for most architectural metal applications.
- Their bright and easily maintained surface making it an easy choice for applications demanding an attractive surface at all times.
- Stainless surfaces thrive with frequent cleaning because there is no surface coating to wear off stainless steels. Unlike some other materials, it is impossible to “wear out” stainless steel by excessive cleaning.

Busch Systems® Stainless Steel receptacles appearance and lifespan will be greatly affected by their care. The frequency of cleaning required depends on the environment in which the containers are used. Outdoor containers will be subject to different environmental conditions than indoor units, i.e. sun, rain, wind, pollution, winter temperatures, and salt/sea air.

To avoid the accumulation of dirt and grime on your Busch Systems® products, and help prevent corrosion, we recommend that a mild detergent be used (not an abrasive), such as a pH-neutral liquid (hand dishwashing or hand car washing soaps, for example) diluted in warm water. Rinse well with clean water. Any dirt adhering to the powder coating should be removed. In order to remove deposits such as salt or dust, use a soft brush (non-abrasive). If this is not sufficient to remove stubborn soiling, the following products have been tested for use:

Note: Always test soaps/cleaners on a hidden and/or small area beforehand

- Ajax Cream
- Liquid Gumption
- Cutting compound ('T. Cut')
- Flash (in water)
- Ajax Liquid (in water)

If solvents are absolutely needed to remove marks, a soft cloth dampened with white spirit may be used.

GENERAL CARE

- Remove protective film immediately
- Use a soft, cotton cloth when wiping the surface
- Clean with mild, nonabrasive soap & water and allow to dry if applying polish
- Polish using residential grade stainless steel cleaner
- Always wipe surface in same direction as grain or polish lines

Step 1: Dip a soft cloth in warm water mixed with a mild dish detergent. Wipe the surface, rinse the cloth and wipe again, then dry with a towel to prevent water spots.

Step 2: If you still see fingerprints, spray a glass cleaner onto a soft cloth and wipe fingerprints away.

Step 3: To remove baked-on food and grease, make a paste of baking soda and warm water. Gently rub onto the surface using a soft cloth or sponge. Wipe with a clean wet cloth and towel dry. For scratches and stains, use a stainless steel cleaner and apply to the area, following directions. Rinse with a clean damp cloth, then dry.

THINGS TO AVOID

- Cleaners with chloride or bleach
- Water with high iron content
- Salts, other abrasives
- Trapped moisture between product and things like rubber mats
- Acetone, methyl alcohol and mineral spirits
- Steel wool or scouring pads
- Oily or greasy rag

Contact Us Today for a Quote on Your Boka Station!



Certified



Corporation